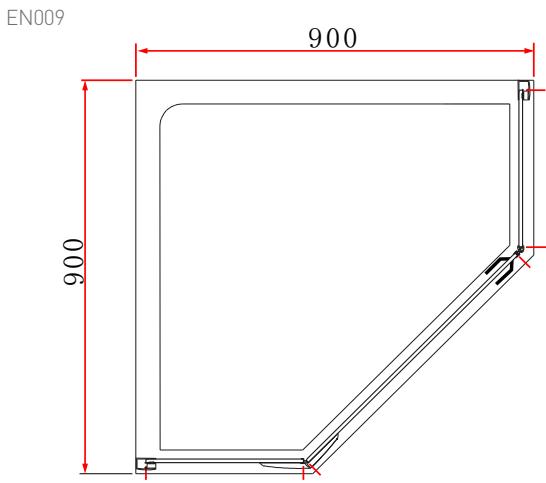
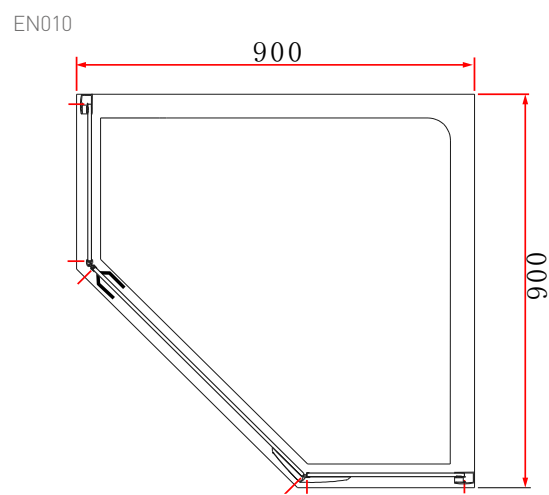


Range: Shower Enclosures  
 Type: I-Zone  
 Code: EN009 EN010 EN011 EN012 EN013 EN014  
 Version/Date: v2 04/21



LH Hinge  
LH Installation



RH Hinge  
RH Installation

Information:

- Rise Fall Hinges
- Concealed fixings
- 20mm adjustment
- Support bar
- Magnetic door seal

- Polished aluminium frame
- Shower tray/wetroom
- 8mm Safety Glass
- Easyclean protection
- Lifetime guarantee

Finishes:

Guarantee/Aftercare: During installation extra care must be taken to avoid damaging the fittings. We provide a guarantee against faulty manufacture or materials (excluding serviceable parts), providing they have been installed, cared for and used in accordance with our instructions and good plumbing practice.

Notes: Drawings may not be to scale. All dimensions in mm unless otherwise stated. Information correct at time of printing but subject to change at any time.

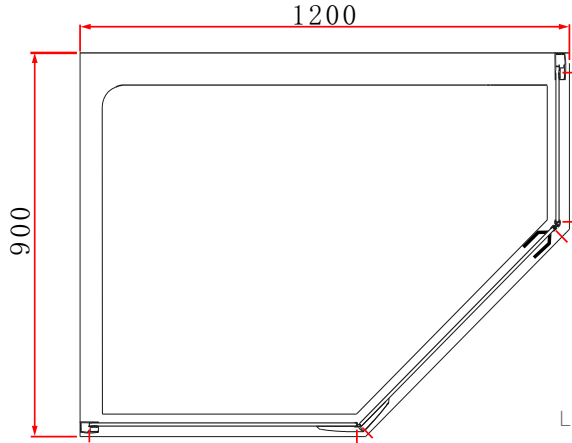
Range: Shower Enclosures

Type: I-Zone

Code: EN009 EN010 EN011 EN012 EN013 EN014

Version/Date: v2 04/21

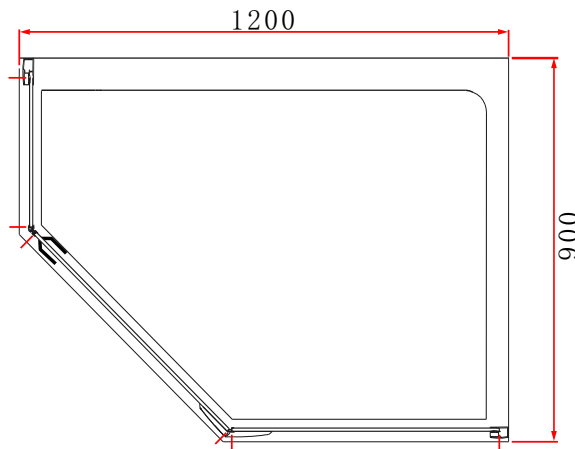
EN011



LH Hinge  
LH Installation  
(To suit LP096R RH Tray)



EN012



RH Hinge  
RH Installation  
(To suit LP096L LH Tray)

Information:

- Rise Fall Hinges
- Concealed fixings
- 20mm adjustment
- Support bar
- Magnetic door seal

- Polished aluminium frame
- Shower tray/wetroom
- 8mm Safety Glass
- Easyclean protection
- Lifetime guarantee

Finishes:

Guarantee/Aftercare: During installation extra care must be taken to avoid damaging the fittings. We provide a guarantee against faulty manufacture or materials (excluding serviceable parts), providing they have been installed, cared for and used in accordance with our instructions and good plumbing practice.

Phoenix Whirlpools Ltd. Unit 8, Leeds 27 Industrial Estate, Bruntcliffe Ave. Morley, Leeds LS27 0LL

Tel: 0113 201 2260 Email: sales@phoenix-uk.com Web: www.phoenix-uk.com

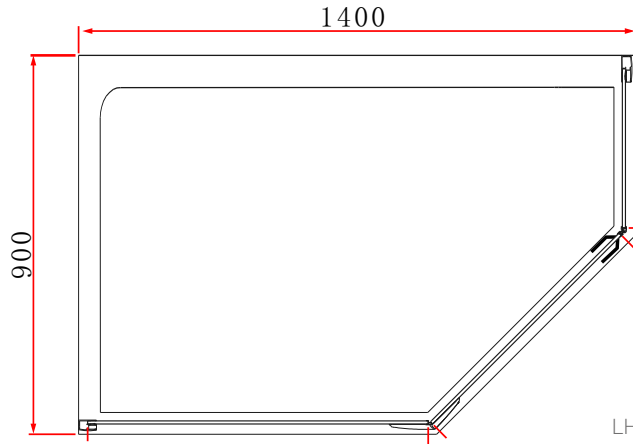
Range: Shower Enclosures

Type: I-Zone

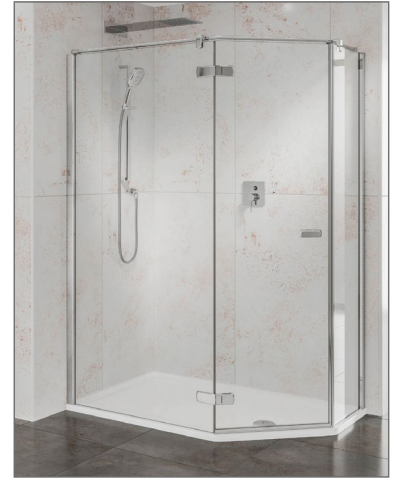
Code: EN009 EN010 EN011 EN012 EN013 EN014

Version/Date: v2 04/21

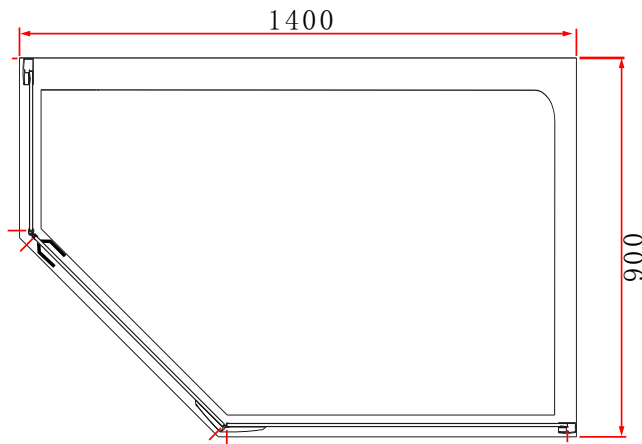
EN013



LH Hinge  
LH Installation  
(To suit LP0105 RH Tray)



EN014



RH Hinge  
RH Installation  
(To suit LP0104 LH Tray)

Information:

- Rise Fall Hinges
- Concealed fixings
- 20mm adjustment
- Support bar
- Magnetic door seal

- Polished aluminium frame
- Shower tray/wetroom
- 8mm Safety Glass
- Easyclean protection
- Lifetime guarantee

Finishes:

Guarantee/Aftercare: During installation extra care must be taken to avoid damaging the fittings. We provide a guarantee against faulty manufacture or materials (excluding serviceable parts), providing they have been installed, cared for and used in accordance with our instructions and good plumbing practice.

Phoenix Whirlpools Ltd. Unit 8, Leeds 27 Industrial Estate, Bruntcliffe Ave. Morley, Leeds LS27 0LL

Tel: 0113 201 2260 Email: sales@phoenix-uk.com Web: www.phoenix-uk.com