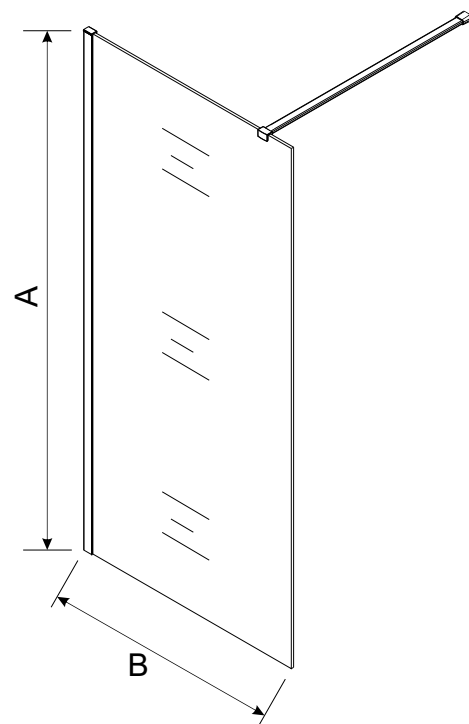


Range: Shower Enclosures
Type: Wetroom Panels
Code: MSW35 MSW65 MSW70 MSW76 MSW80 MSW85 MSW90 MSW100 MSW110 MSW120
Version/Date: v2 08/24



MODEL	A	B
SW35	2000	330-350
SW65	2000	630-650
SW70	2000	680-700
SW76	2000	740-760
SW80	2000	780-800
SW85	2000	830-850
SW90	2000	880-900
SW100	2000	980-1000
SW110	2000	1080-1100
SW120	2000	1180-1200



Information: Easy clean glass, Lifetime guarantee, Tempered safety glass. Includes Support Bar (Not on MSW35), T-Connector & Corner Profile

Guarantee/Aftercare: During installation extra care must be taken to avoid damaging the fittings. We provide a guarantee against faulty manufacture or materials (excluding serviceable parts), providing they have been installed, cared for and used in accordance with our instructions and good plumbing practice.



Phoenix Whirlpools Ltd. Unit 8, Leeds 27 Industrial Estate, Bruntcliffe Ave. Morley, Leeds LS27 0LL

Tel: 0113 201 2260 Email: sales@phoenix-uk.com Web: www.phoenix-uk.com