

PHOENIX

THE RETAIL BRAND

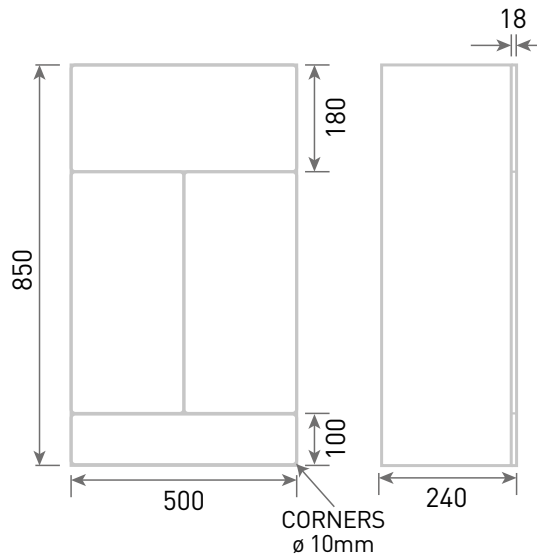
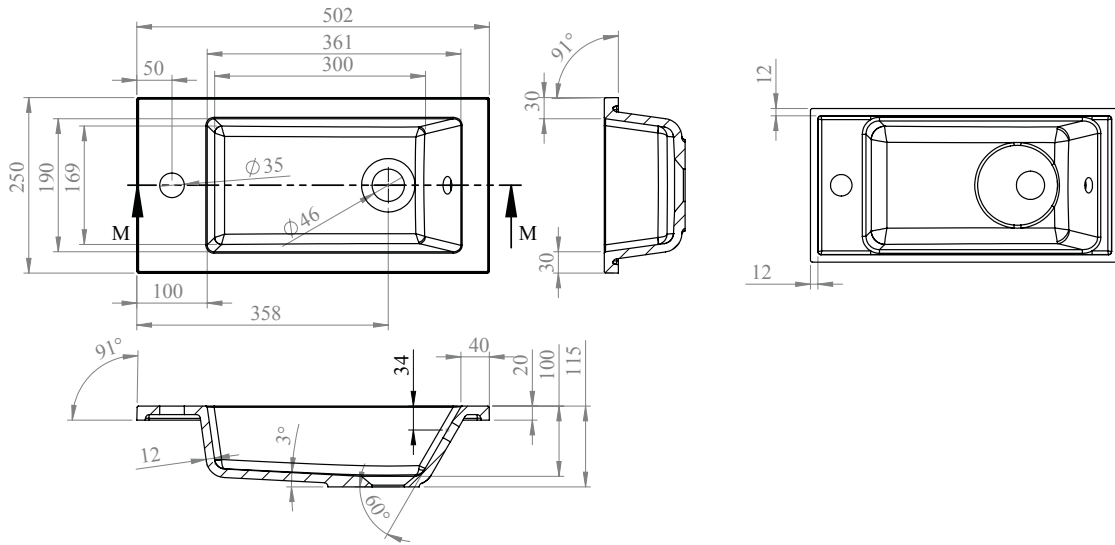
TECHNICAL DATA SHEET

Range: Liri Furniture

Type: 50 Floor Standing 2 Door Unit & Mineral Cast Basin

Code: N060165TH N060465TH N060565TH N060765TH

Version/Date: v2 05/22

Information:

Guarantee/Aftercare: During installation extra care must be taken to avoid damaging the fittings. We provide a guarantee against faulty manufacture or materials (excluding serviceable parts), providing they have been installed, cared for and used in accordance with our instructions and good plumbing practice.

Unit Colours:

Gloss White Stone Matt Matt Fern Matt Graphite

Phoenix Whirlpools Ltd. Unit 8, Leeds 27 Industrial Estate, Bruntcliffe Ave. Morley, Leeds LS27 0LL

Tel: 0113 201 2260 Email: sales@phoenix-uk.com Web: www.phoenix-uk.com

Notes: Drawings may not be to scale. All dimensions in mm unless otherwise stated. Information correct at time of printing but subject to change at any time.