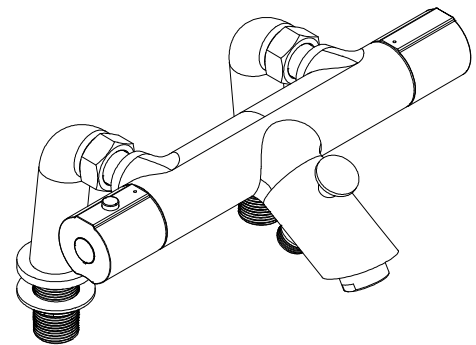
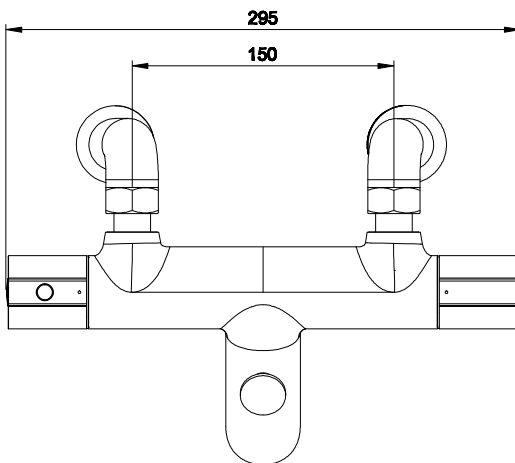
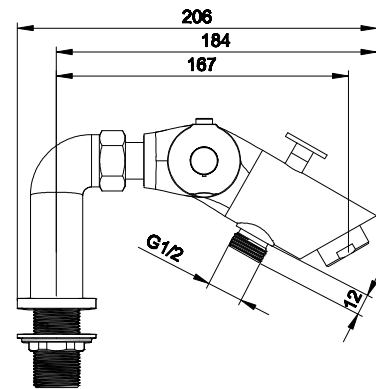
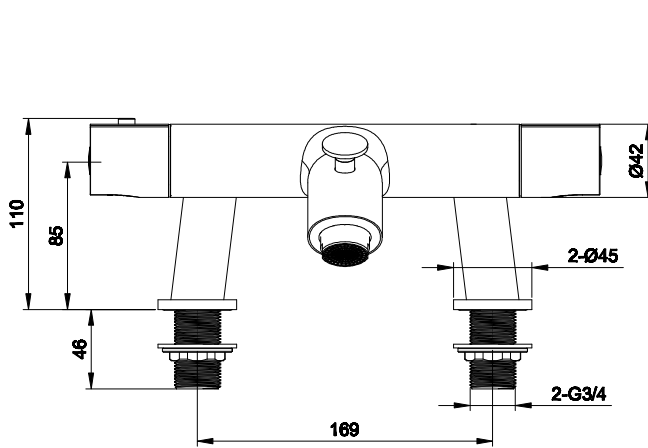


Range: Showering Solutions  
 Type: Exposed Thermostatic Valves  
 Code: SV022  
 Version/Date: v2 05/23



**Information:**  
 Coldtouch  
 Vernet Cartridges  
 Wall or deck mounted  
 Medium Pressure

**Guarantee/Aftercare:** During installation extra care must be taken to avoid damaging the fittings. We provide a guarantee against faulty manufacture or materials (excluding serviceable parts), providing they have been installed, cared for and used in accordance with our instructions and good plumbing practice. We recommend that all brassware is installed to allow access to serviceable parts as we cannot accept responsibility in the event that access is required.

**Finishes:**



Chrome

Phoenix Whirlpools Ltd. Unit 8, Leeds 27 Industrial Estate, Bruntcliffe Ave. Morley, Leeds LS27 0LL  
 Tel: 0113 201 2260 Email: sales@phoenix-uk.com Web: www.phoenix-uk.com