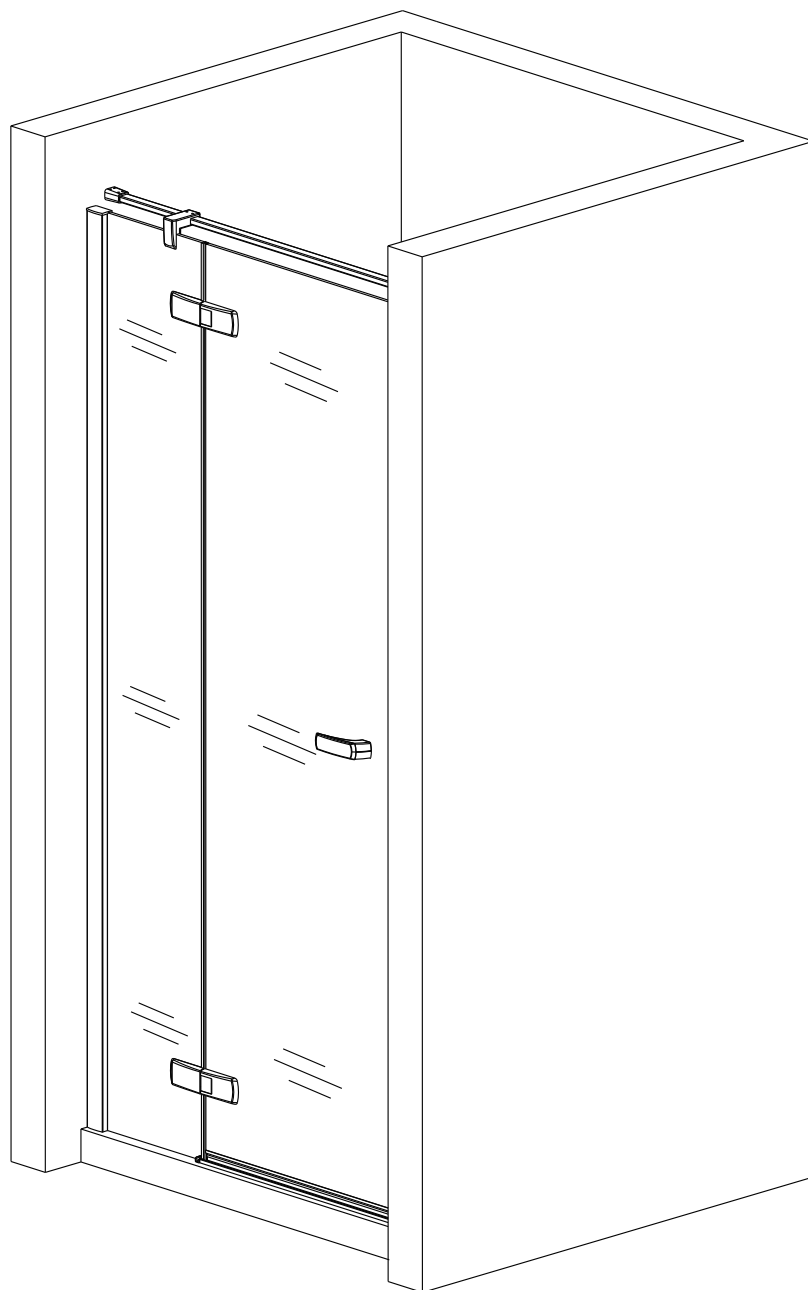


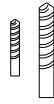
INSTALLATION MANUAL



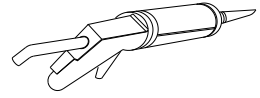
TOOLS REQUIRED



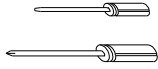
PENCIL



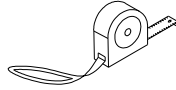
($\varnothing 6, \varnothing 3, 2$) DRILL BIT



SILICONE & GUN



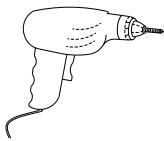
FLAT AND CROSS
HEAD SCREWDRIVERS



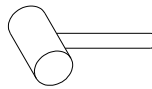
TAPE MEASURE



SPIRIT LEVEL



ELECTRIC DRILL

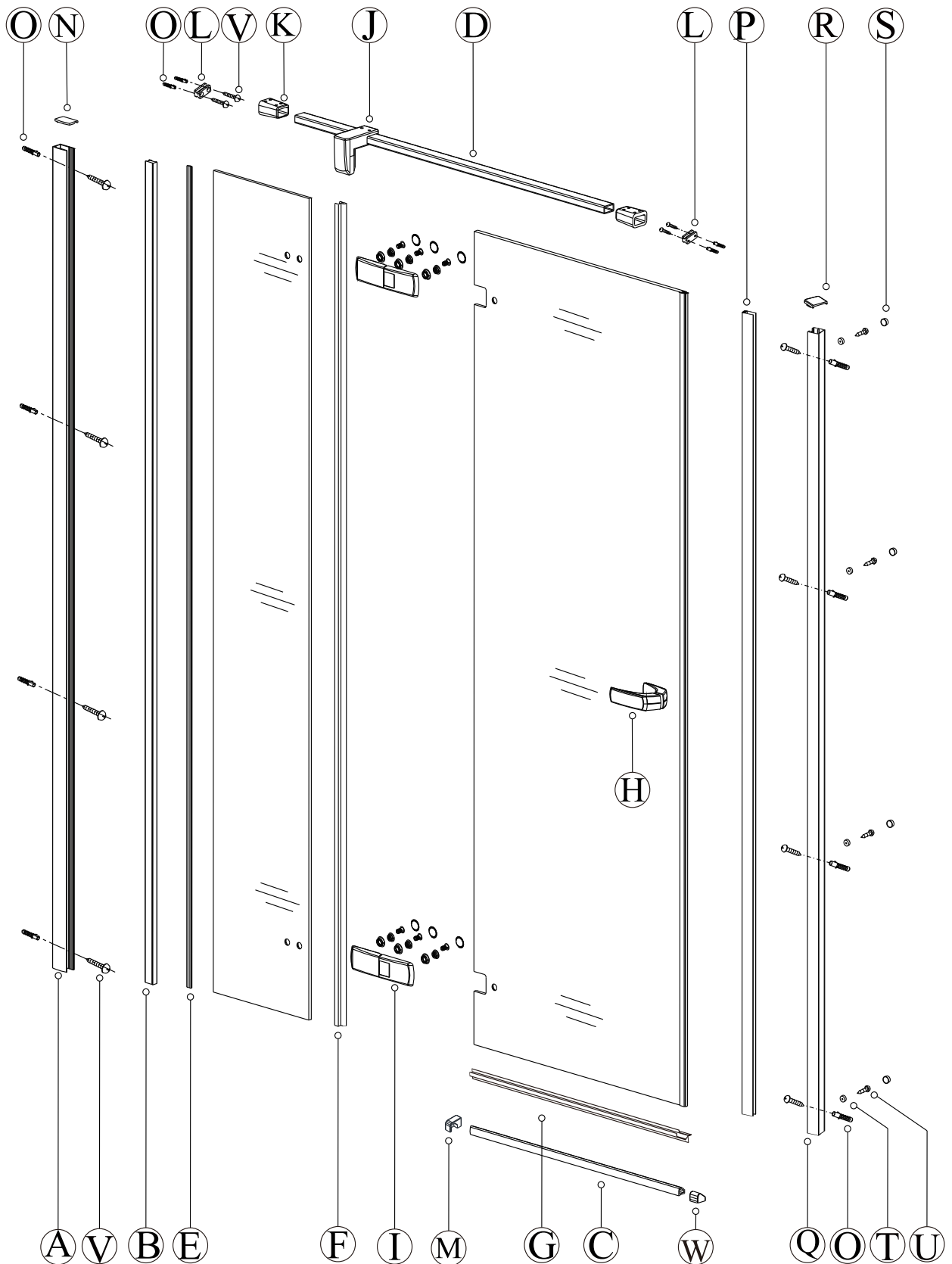


RUBBER HAMMER

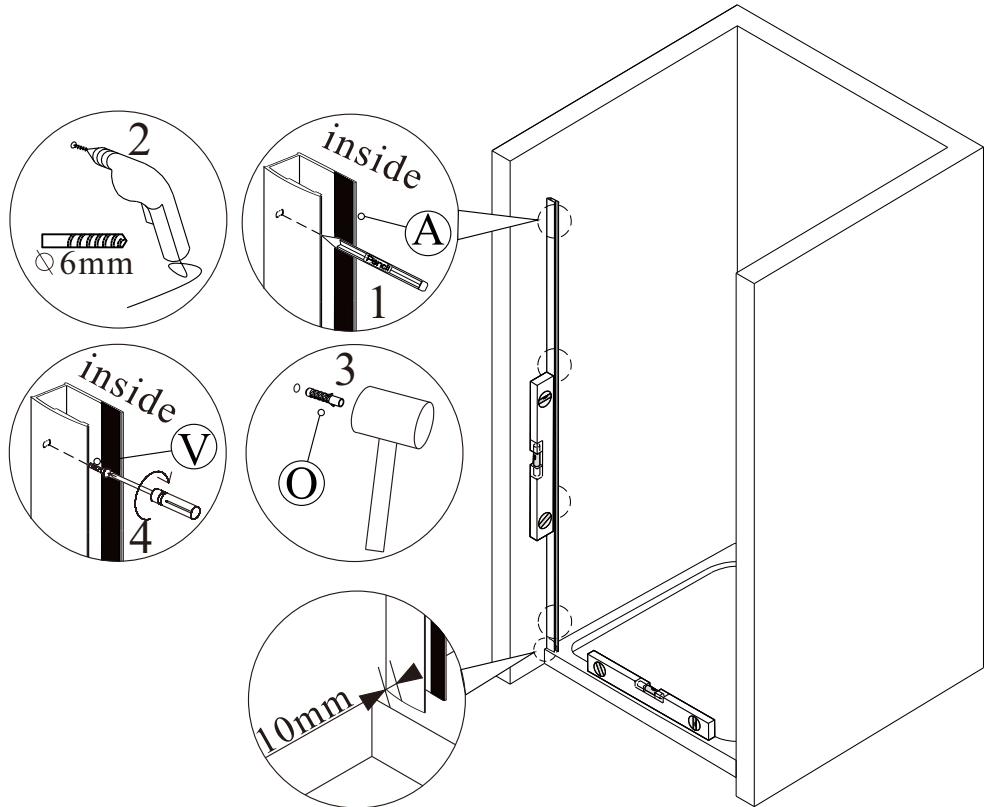
PACKING LIST

 A B-819-H X1	 B B-685-H X1	 C B-813-H X1	 D B-837-H X1	 E C-320 X1	 F C-415 X1
 G C-424 X1	 H E-172 X1	 I G-095L X2	 J E1-552 X1	 K E1-553 X2	 L E1-554 X2
 M I-1059 L/R X2	 N I-1092 L/R X2	 O I-432 X12	 P B-474-H X1	 Q B-475-H X1	 R I-600 X1
 S I-065 X4	 T I-062 X4	 U ST4*12 X4	 V ST4*40 X12	 W I-1062 L/R X2	

PRODUCT SCHEMATIC DIAGRAM

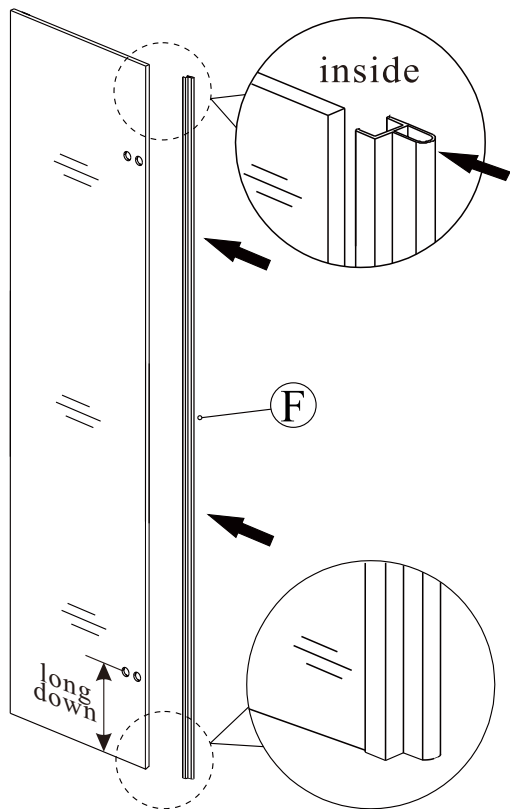


1

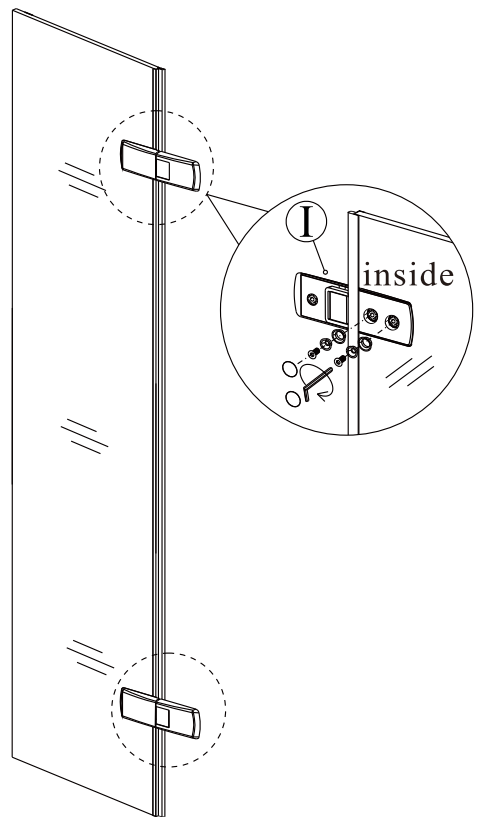


10mm gap from the edge of wall profile to the outside edge of the tray, which make sure enough room for fitting the water retaining cover

2

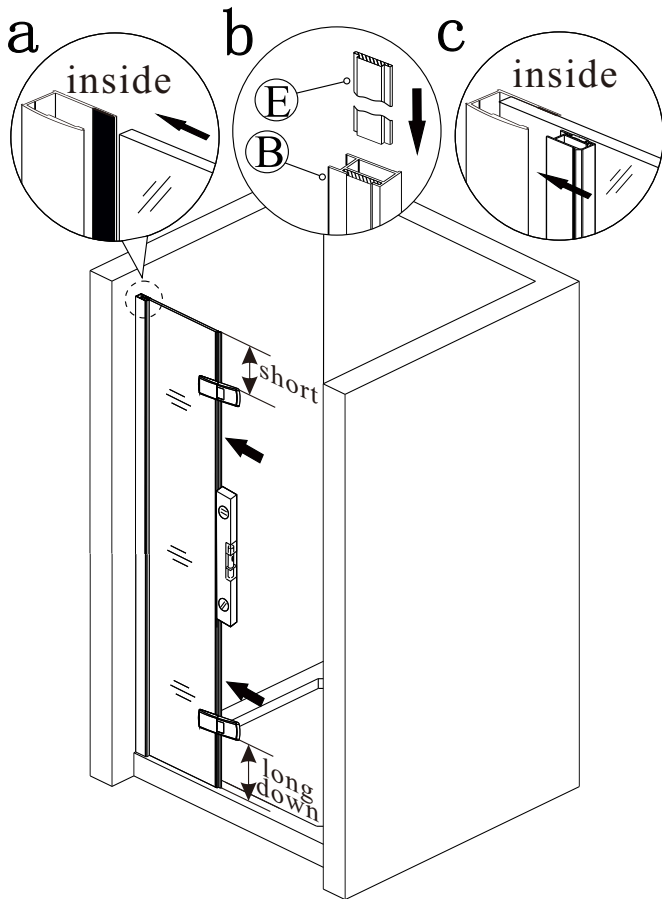


3

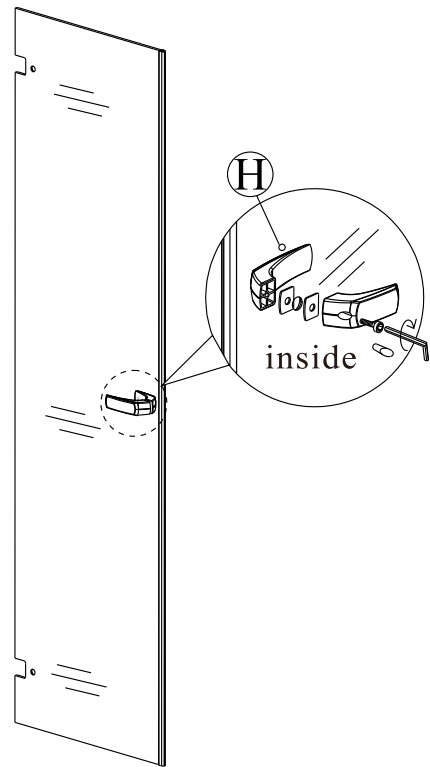


(3)

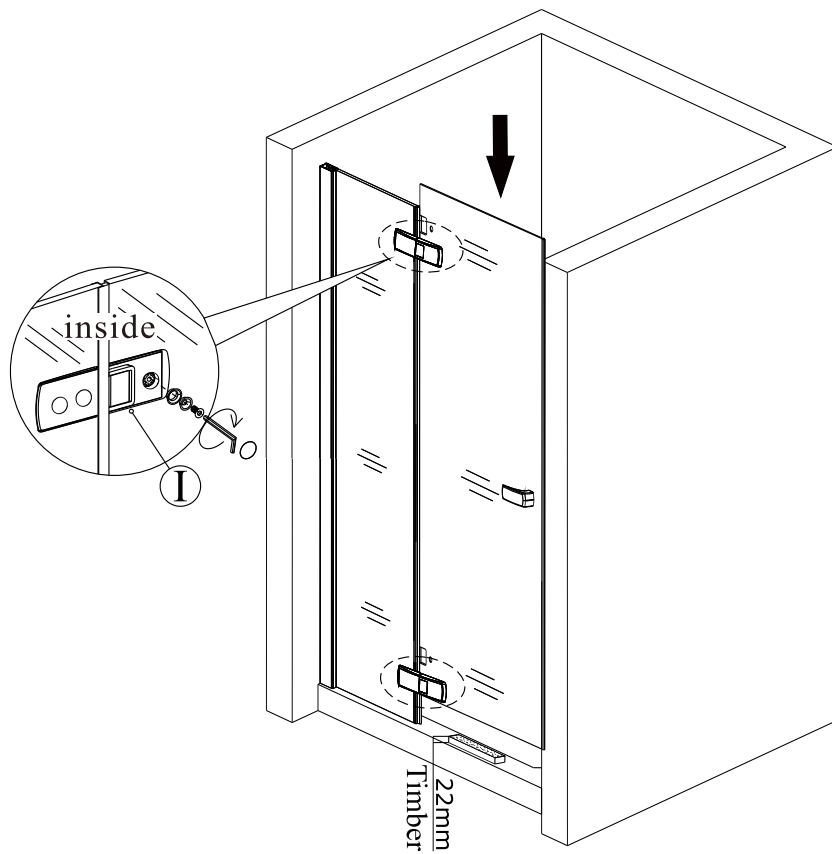
4



5

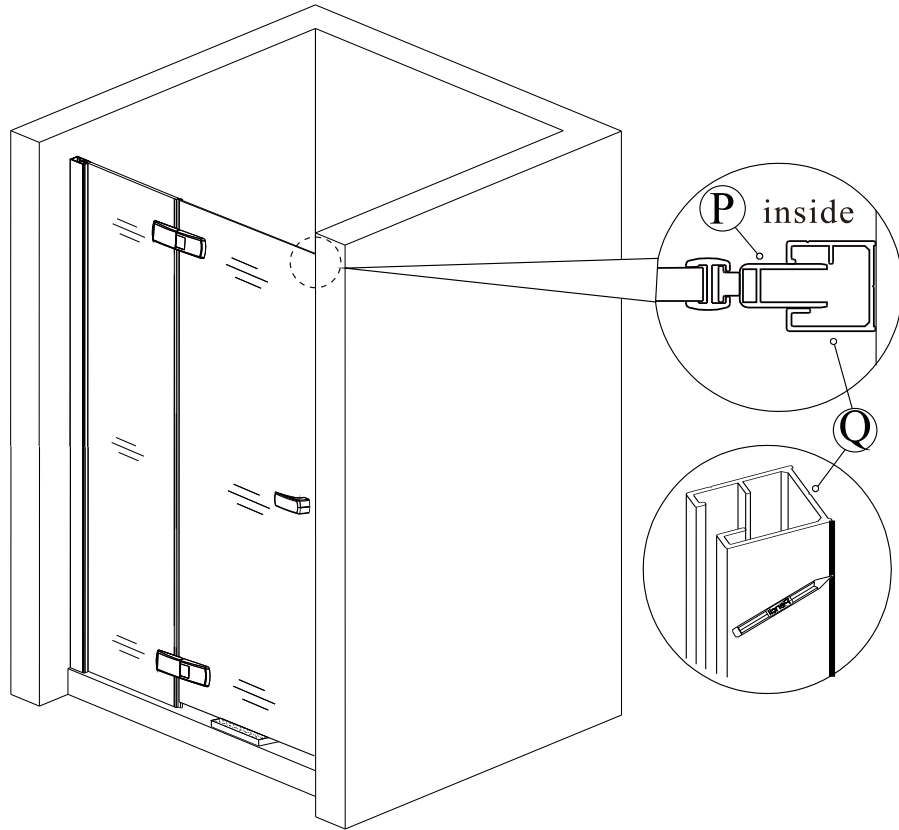


6

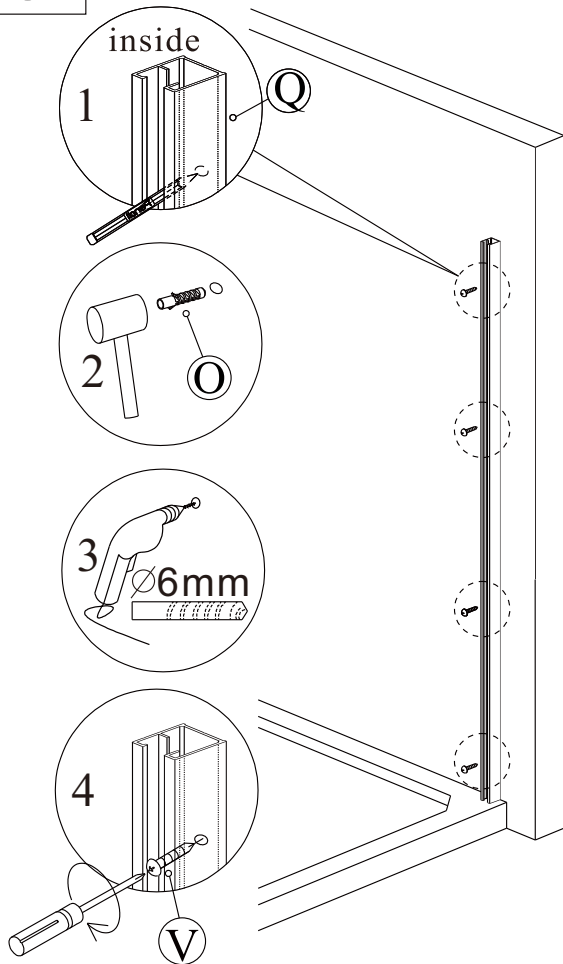


(4)

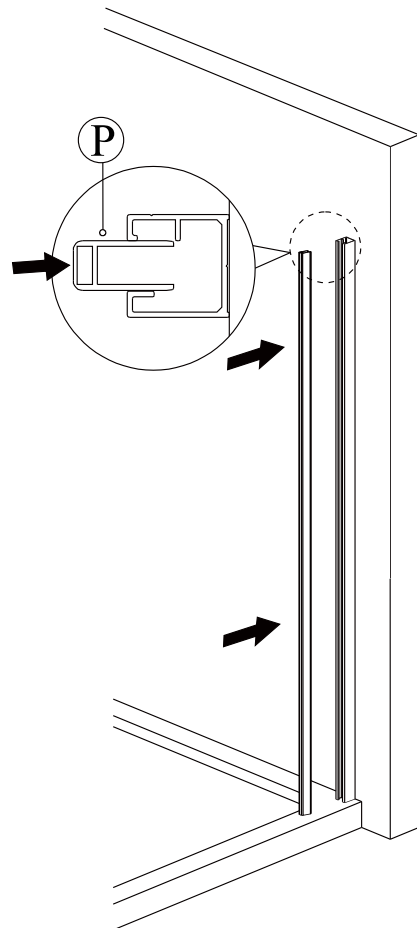
7



8

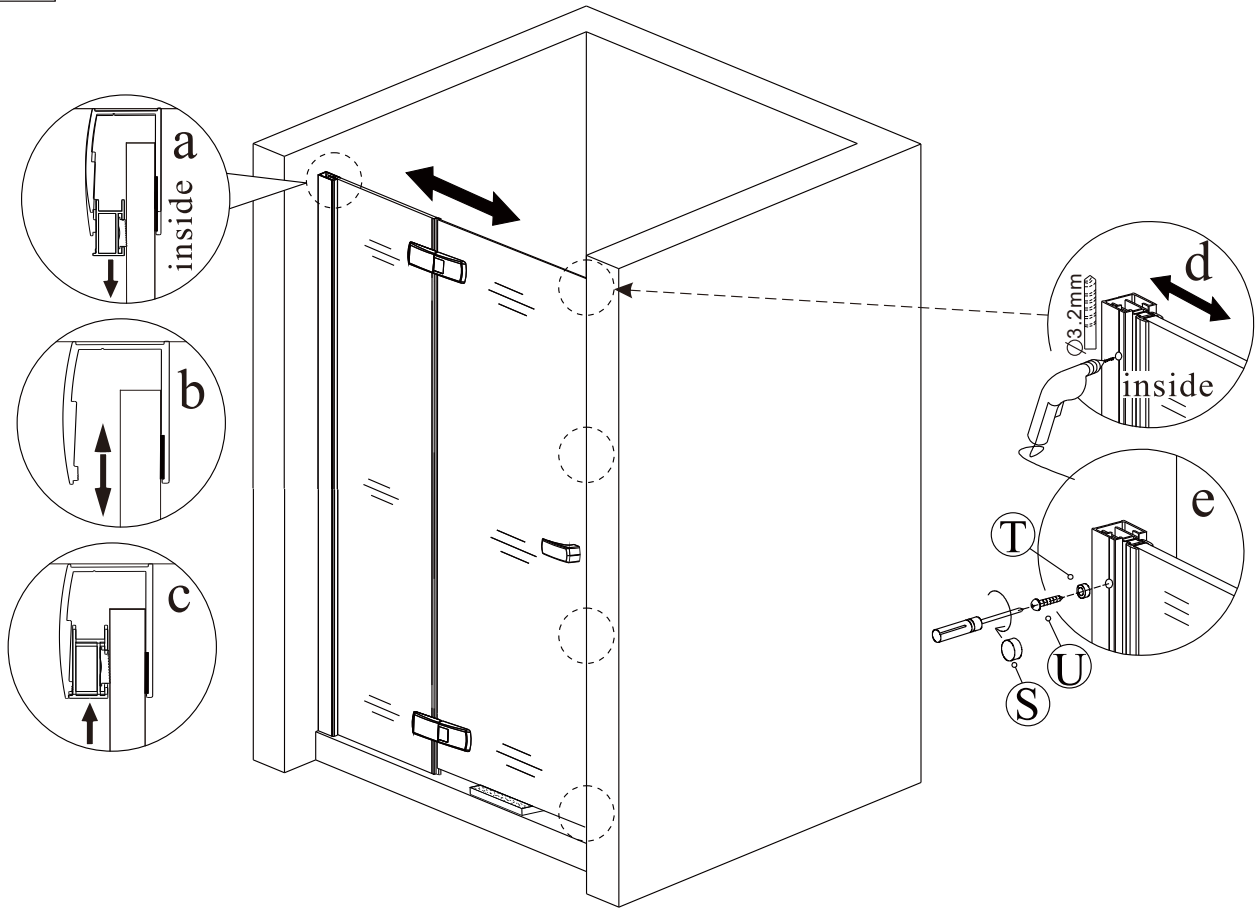


9

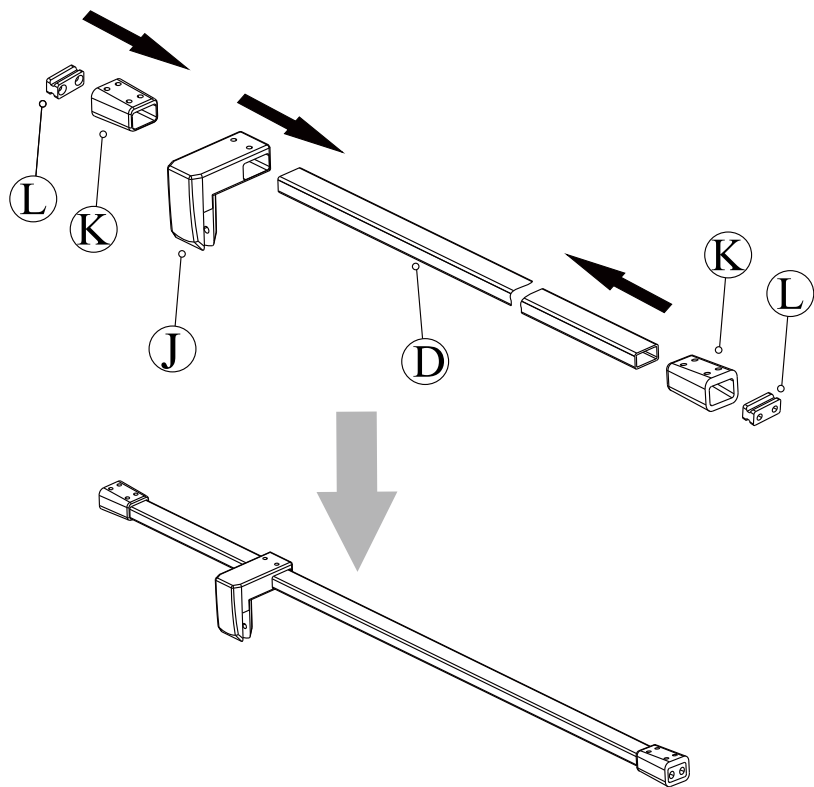


(5)

10

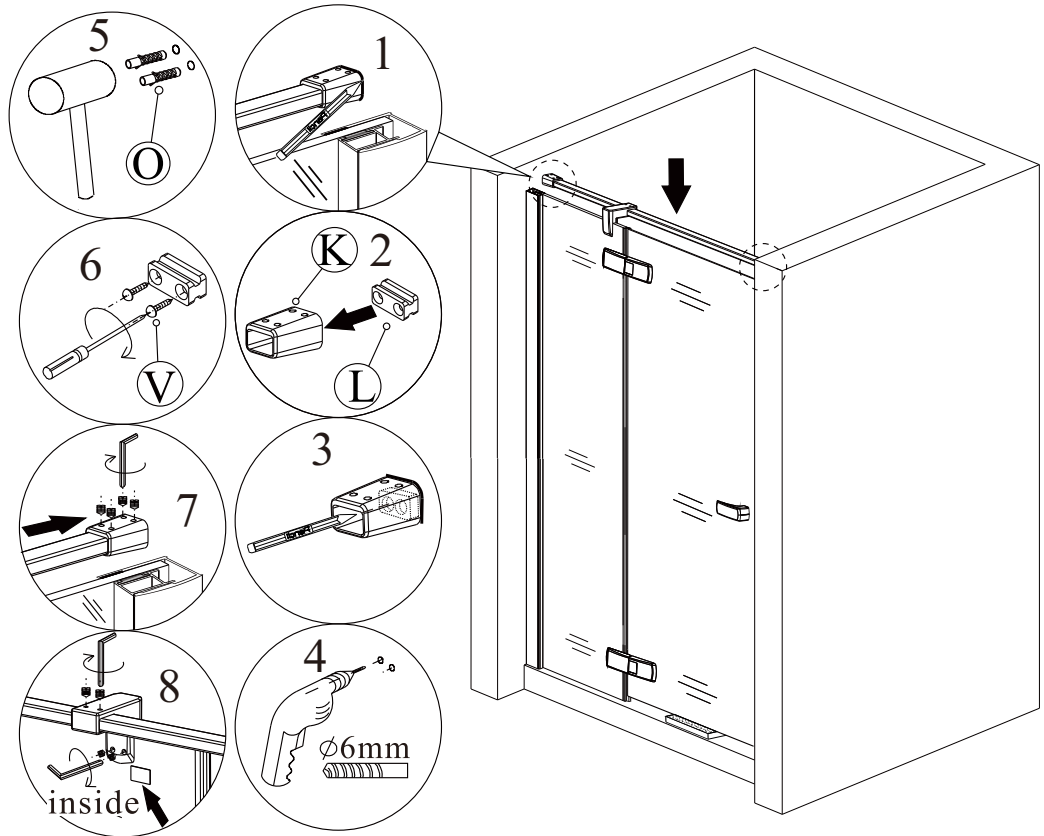


11

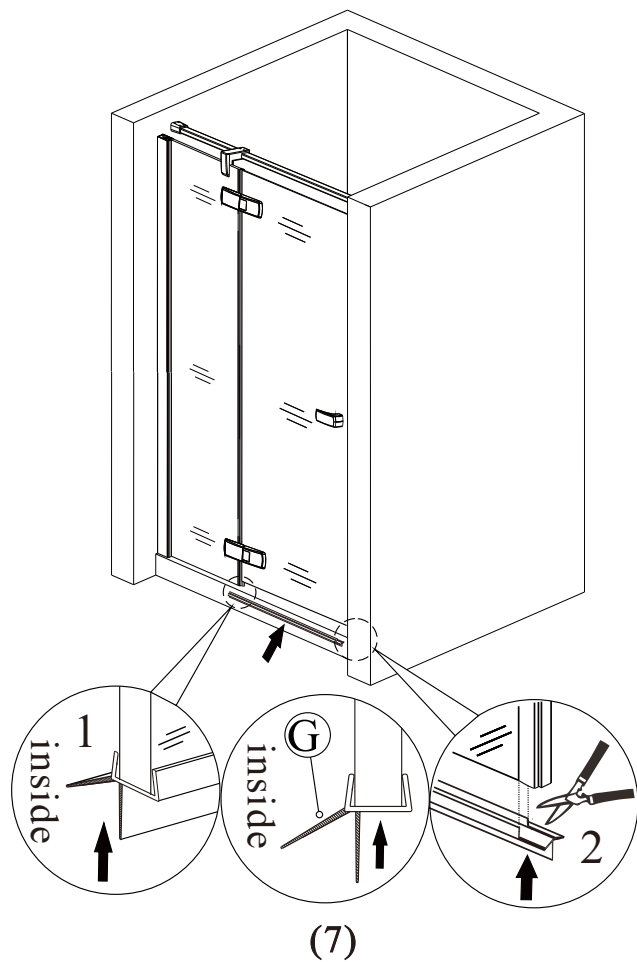


(6)

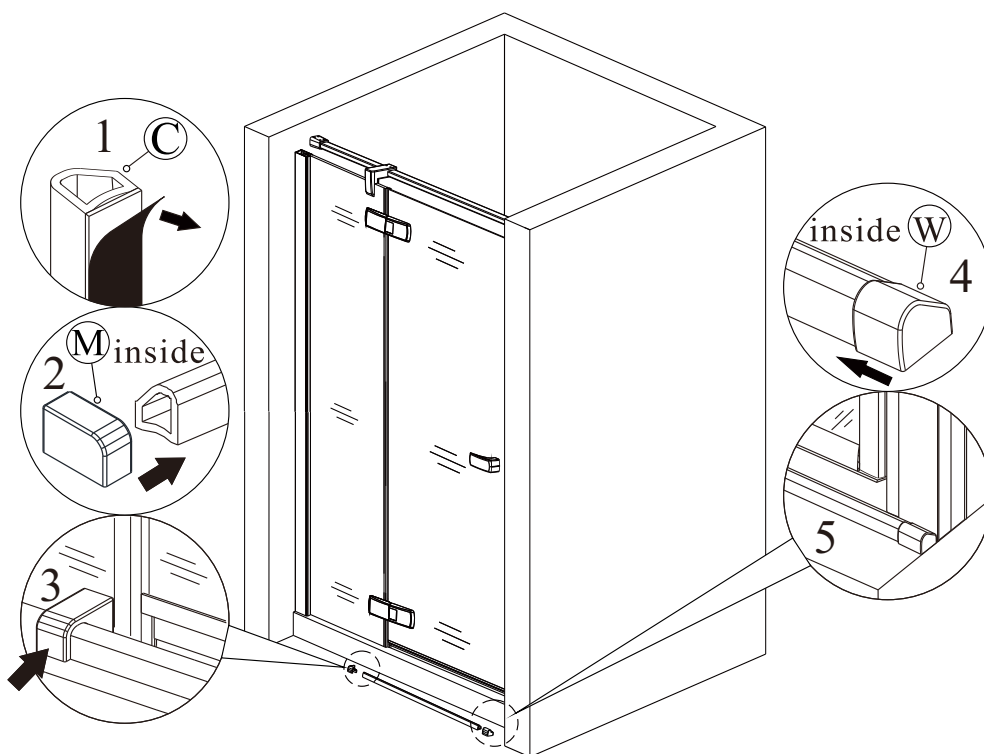
12



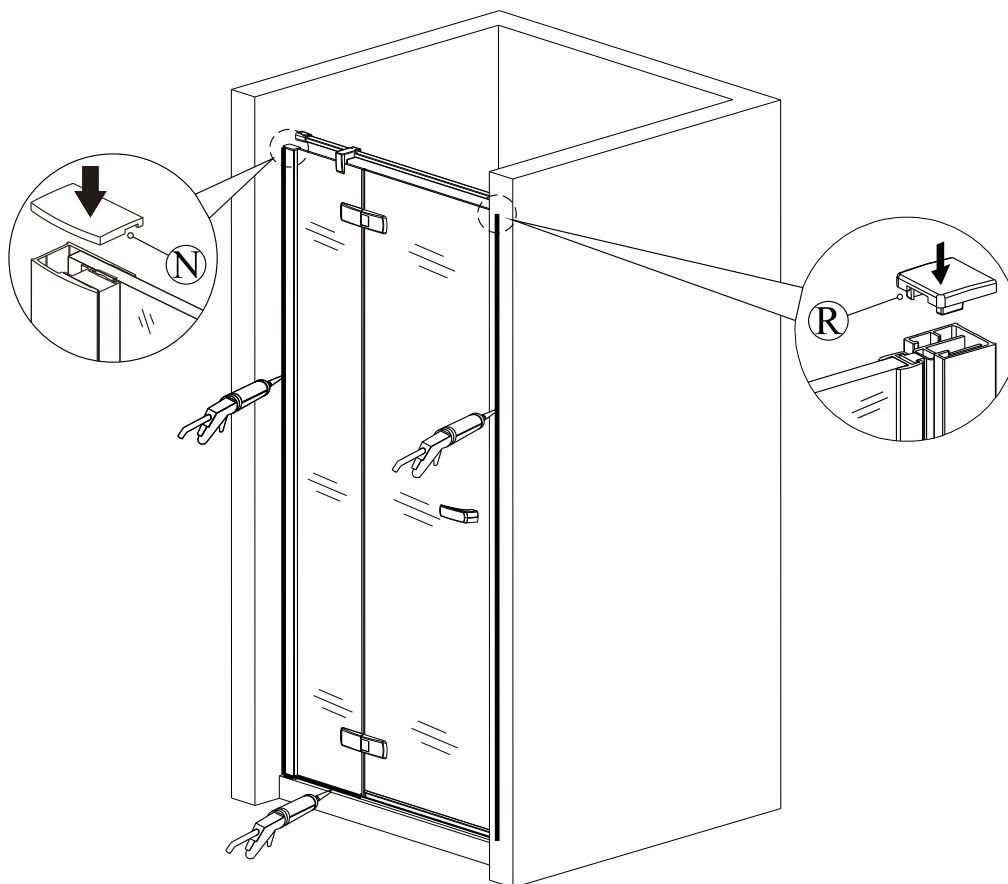
13



14



15



Apply some silicone on the outside edge of the shower enclosure (between the wall profiles and wall and between the frame and the tray) to enhance waterproof. After installation, it needs 24hours for silicone to dry before being put into use.

(8)

Cleaning & Maintenance

Clean the sundries regularly to prevent the drain from being jammed. Usually, clean the shower enclosure by mop with mild detergent.

Don't clean the shower enclosure with irritant detergent, such as alcohol, gasoline or other chemical cleaner.

Should there be any dirty stains on the shower enclosure, you may clean it by calico with toothpaste, but you need to clean it with water afterwards.

After the installation is completed, if you find there is much noise when the glass door moves, you may add small quantity of lubricant onto the roller wheel, slipping hook and the track.