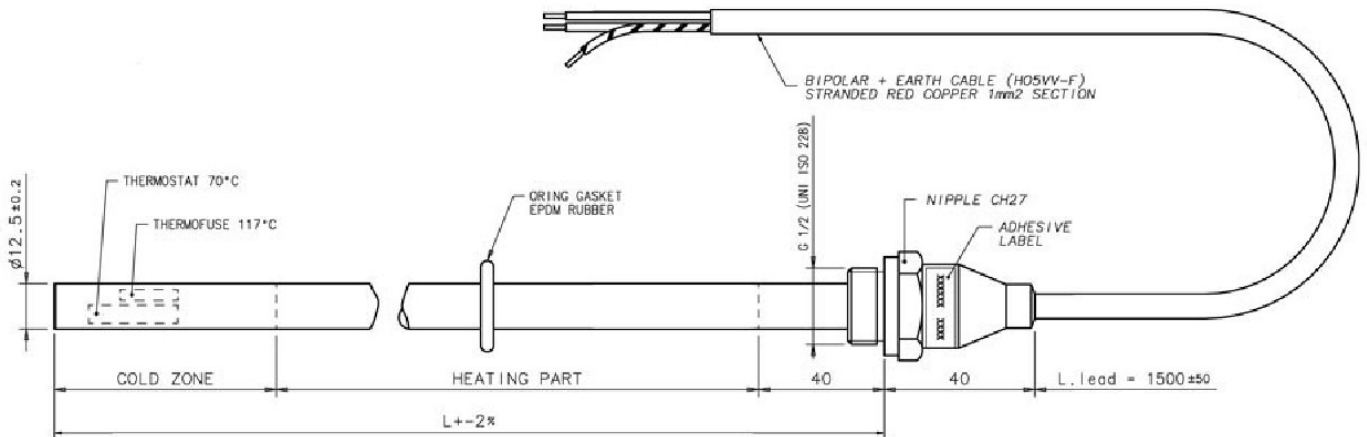


Phoenix

DESIGNED FOR YOU

Technical Data Sheet

Range:	Heating
Type:	IP55 Rated Heating Element
Code:	HE001 HE002 HE003
Version/Date:	v2 01/19



- HEATING ELEMENT ONLY FOR USE IN A TOWEL RAIL FILLED WITH WATER OR WATER PLUS GLYCOL THERMAL FLUID
- WORKING ONLY IN VERTICAL POSITION FROM THE BOTTOM TO THE TOP
- MAXIMUM HEATING ELEMENT SURFACE TEMPERATURE 100°C

HE001-150 watt Chrome-Internal dimension is 255mm including thread
 HE002-300 watt Chrome-Internal dimension is 340mm including thread
 HE003-600 watt Chrome-Internal dimensions is 590mm including thread

Guarantee/Aftercare: During installation extra care must be taken to avoid damaging the fittings. We provide a guarantee against faulty manufacture or materials (excluding serviceable parts), providing they have been installed, cared for and used in accordance with our instructions and good plumbing practice.

Phoenix Whirlpools Ltd. Unit 8, Leeds 27 Industrial Estate, Bruntcliffe Avenue, Morley, Leeds LS27 0LL
 Tel: (Sales) +44 (0)113 2012260 Fax: +44 (0)113 2012268 Email: sales@phoenix-uk.co.uk Web: www.phoenix-uk.co.uk

Notes: Drawings may not be to scale. All dimensions in mm unless otherwise stated. Information correct at time of printing but subject to change at any time.