

**PHOENIX**<sup>®</sup>

THE RETAIL BRAND

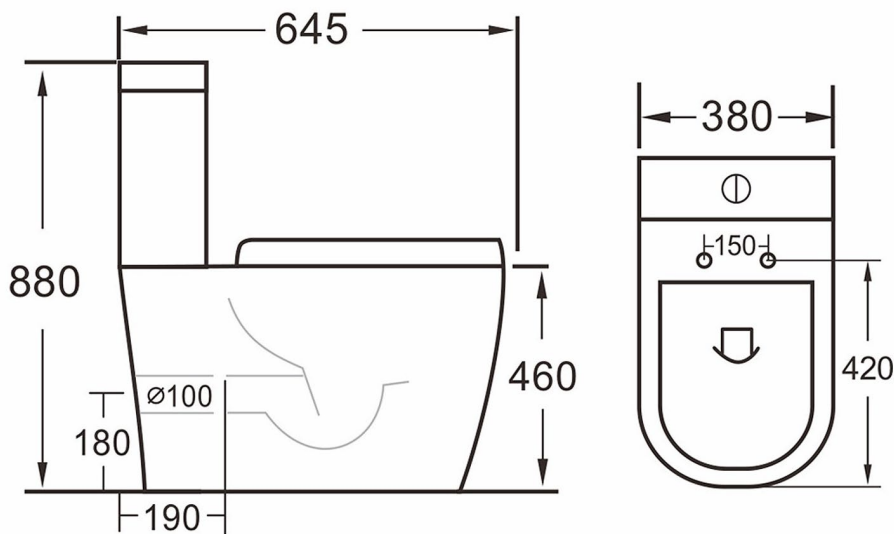
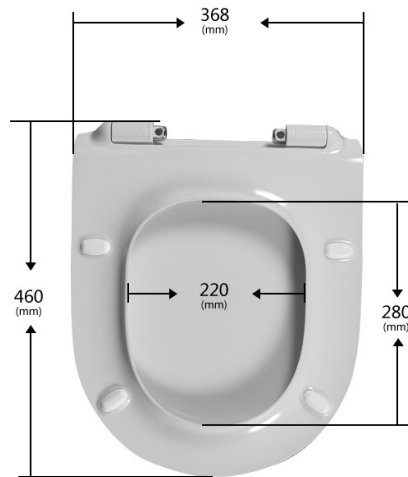
## TECHNICAL DATA SHEET

Range: Sanitaryware

Type: Identity Comfort Height Closed Back WC

Code: IT040

Version/Date: v1 06/22

Information:

**Guarantee/Aftercare:** During installation extra care must be taken to avoid damaging the fittings. We provide a guarantee against faulty manufacture or materials (excluding serviceable parts), providing they have been installed, cared for and used in accordance with our instructions and good plumbing practice. All products installed in a commercial environment carry a 12 month guarantee. We cannot be held responsible for the use of incorrect dimensions shown for first fix without the actual products on site.

In line with the CE standards for this type of product, there may be a manufacturers tolerance of approximately +/- 2% on the overall dimensions and finish on these products. As per our terms and conditions of guarantee, we cannot be held responsible for the use of dimensions shown for first fix without the actual products on site. All dimensions stated are nominal and are subject to manufacturing tolerances.

Finishes:

White Ceramic

**Phoenix Whirlpools Ltd. Unit 8, Leeds 27 Industrial Estate, Bruntcliffe Ave. Morley, Leeds LS27 0LL**

Tel: 0113 201 2260 Email: sales@phoenix-uk.com Web: www.phoenix-uk.com