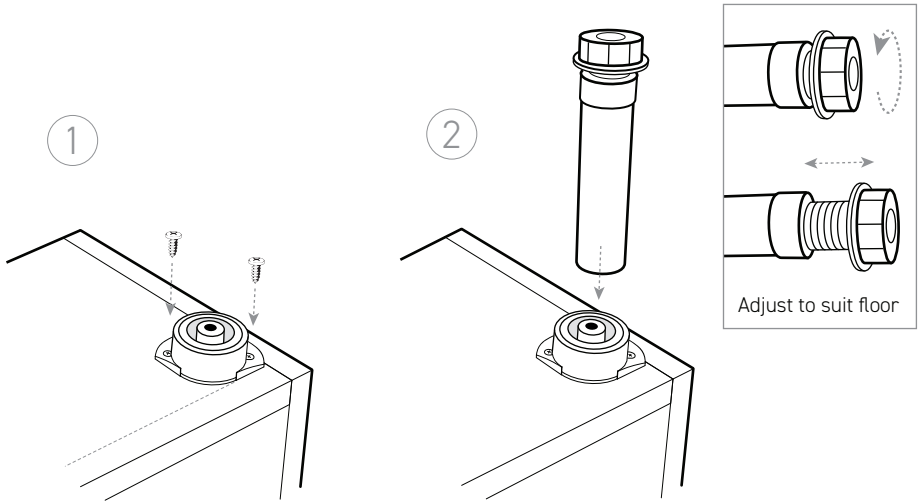


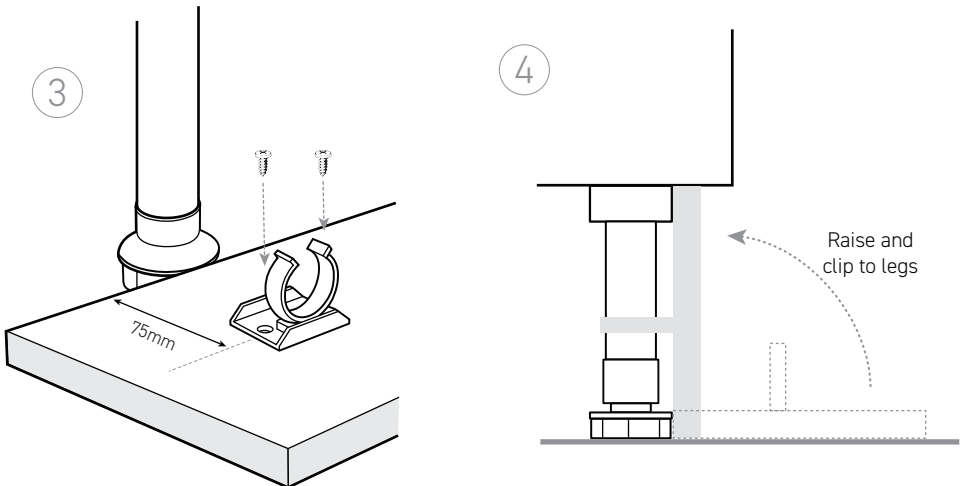


FITTED FURNITURE
ASSEMBLY INSTRUCTIONS

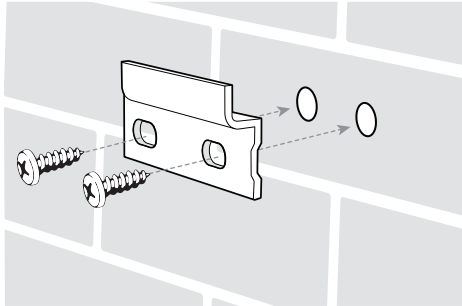
Leg & Plinth Assembly



PLINTH - Fitting

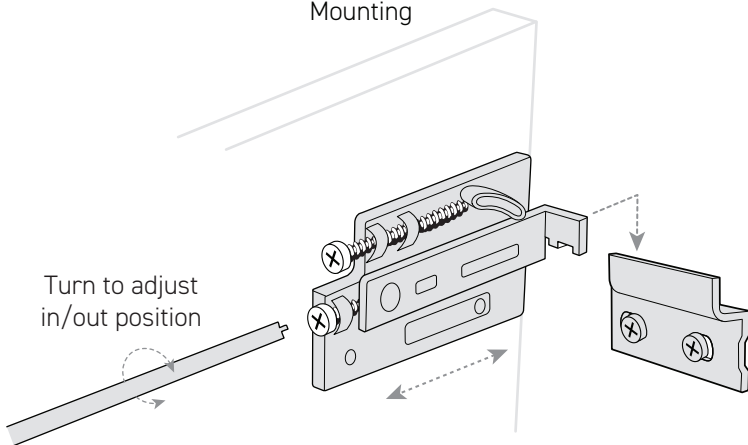


Wall Fixings & Levelling



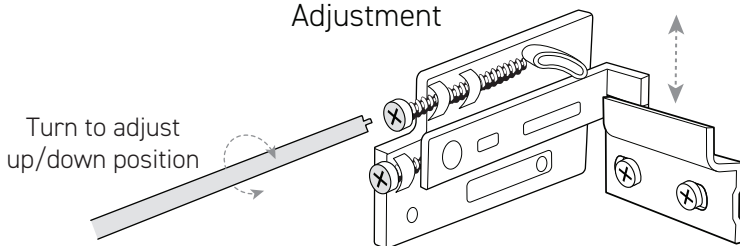
Drill, plug & fix using suitable wall fixings

Mounting



Turn to adjust
in/out position

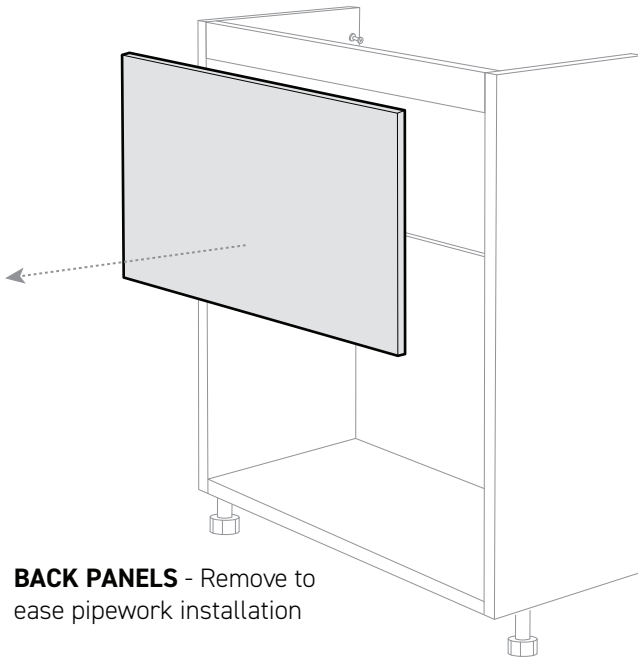
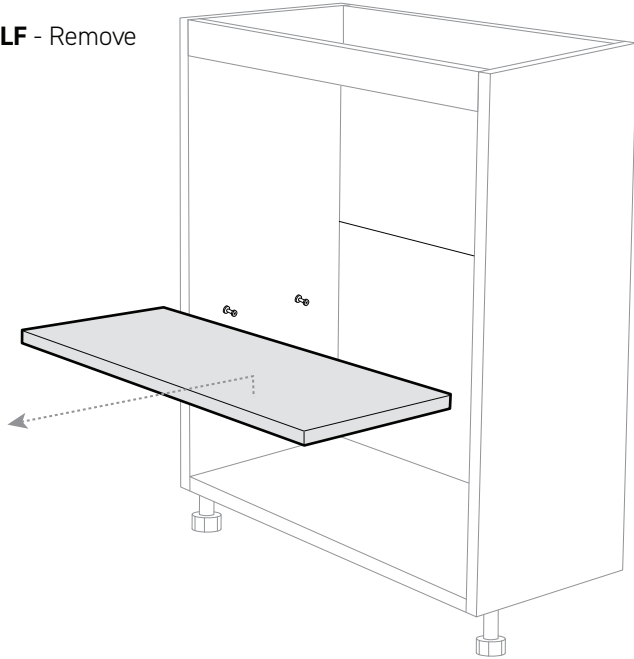
Adjustment



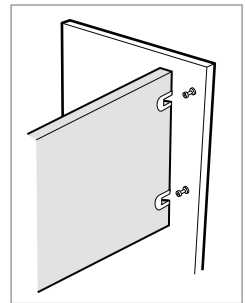
Turn to adjust
up/down position

Door Units

SHELF - Remove

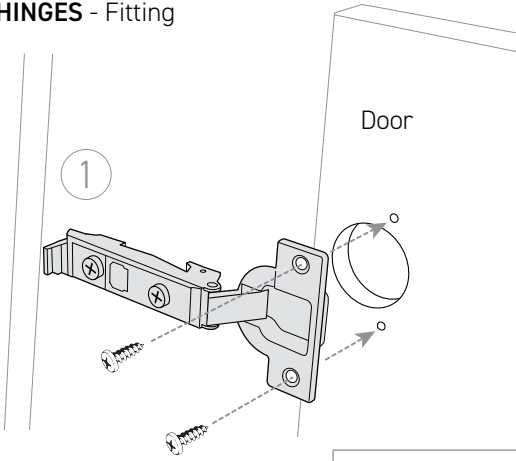
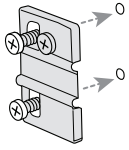


BACK PANELS - Remove to ease pipework installation



HINGES - Fitting

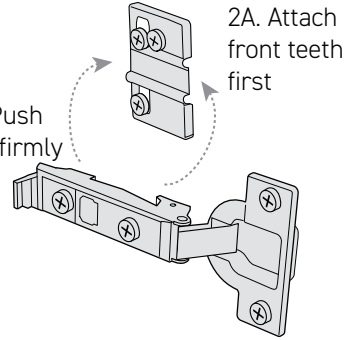
Unit



Door

2

2B. Push rear firmly



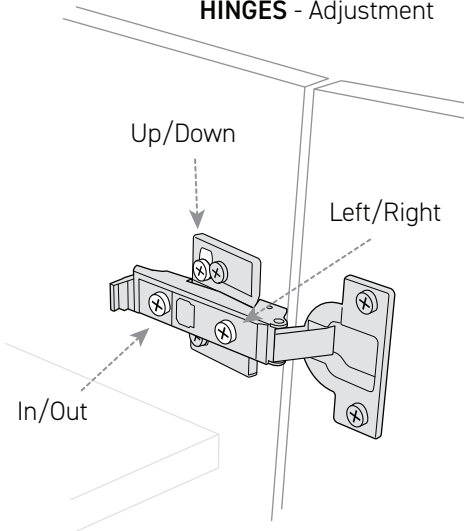
2A. Attach front teeth first

HINGES - Adjustment

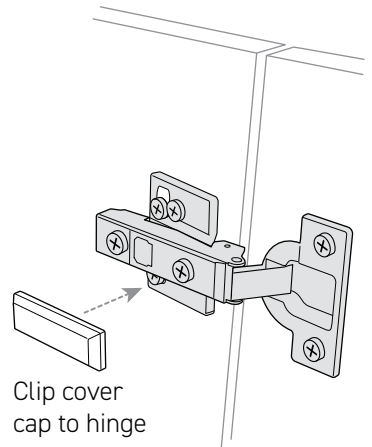
Up/Down

Left/Right

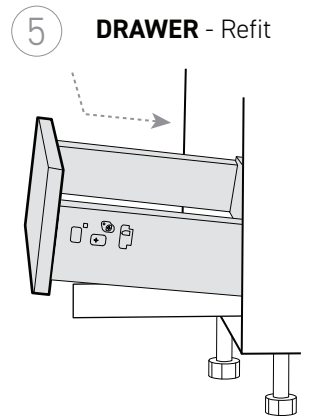
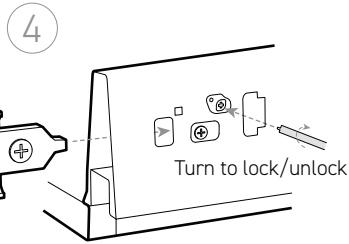
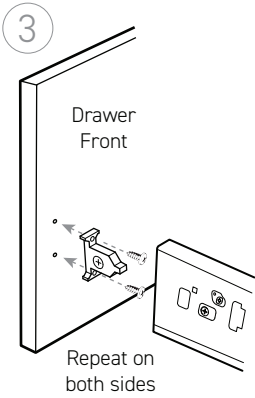
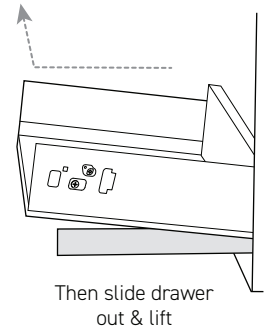
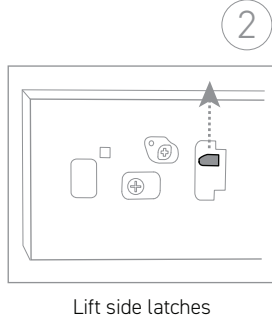
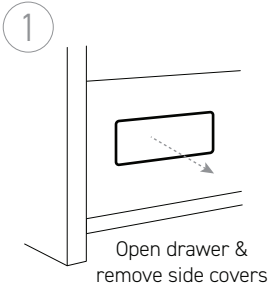
In/Out



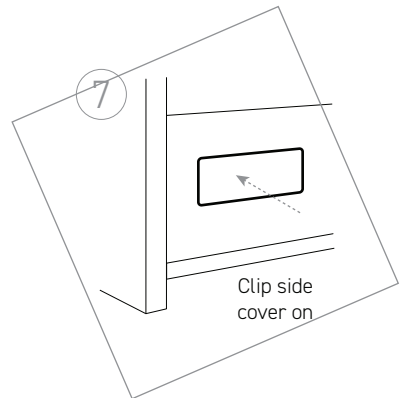
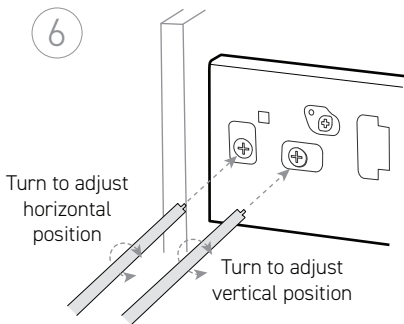
Clip cover cap to hinge



Drawer Assembly

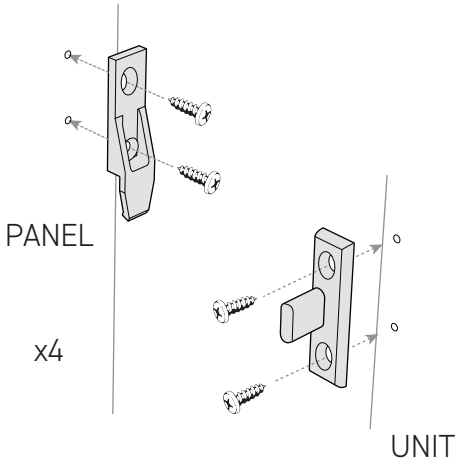


DRAWER - Adjustment

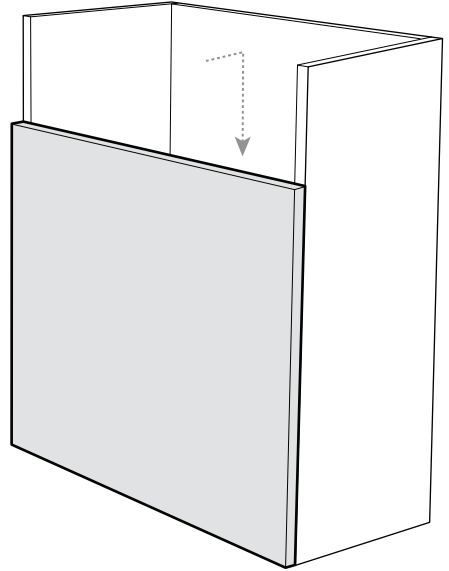


Back to Wall Units

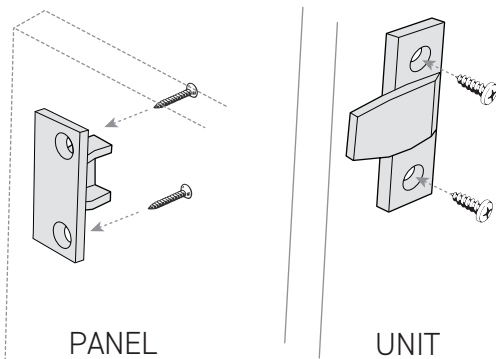
LOWER PANEL CLIPS - Fitting



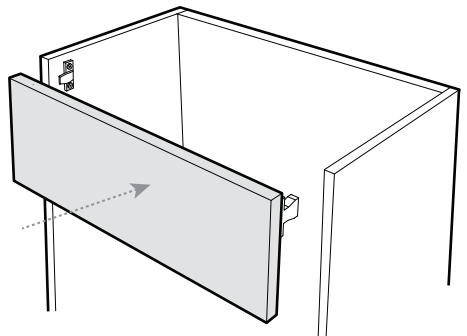
LOWER FASCIA PANEL - Attach



UPPER PANEL CLIPS - Fitting



UPPER FASCIA PANEL - Attach



Basin Units

Apply sealant
before fitting basin

