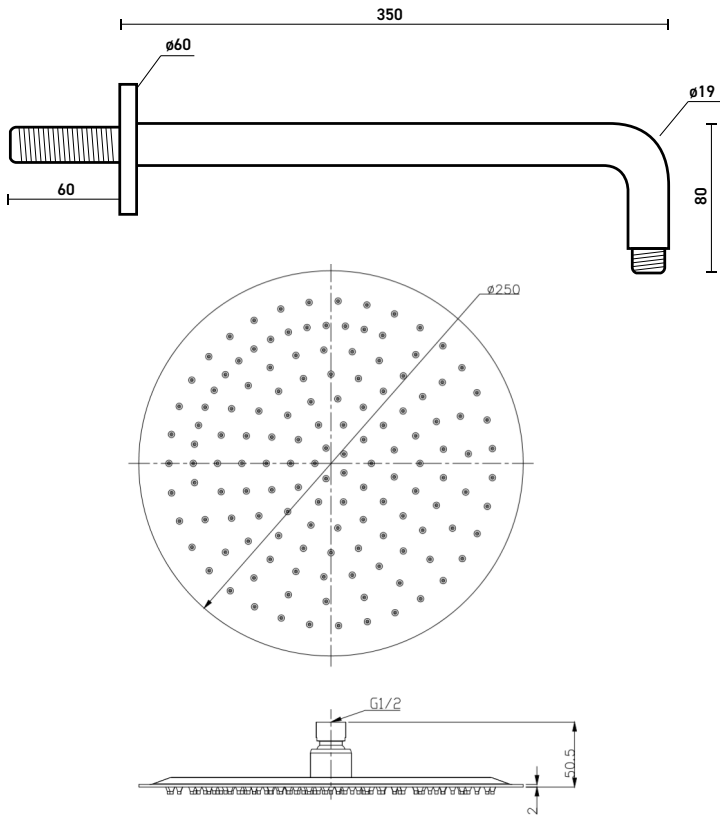


Range: Various

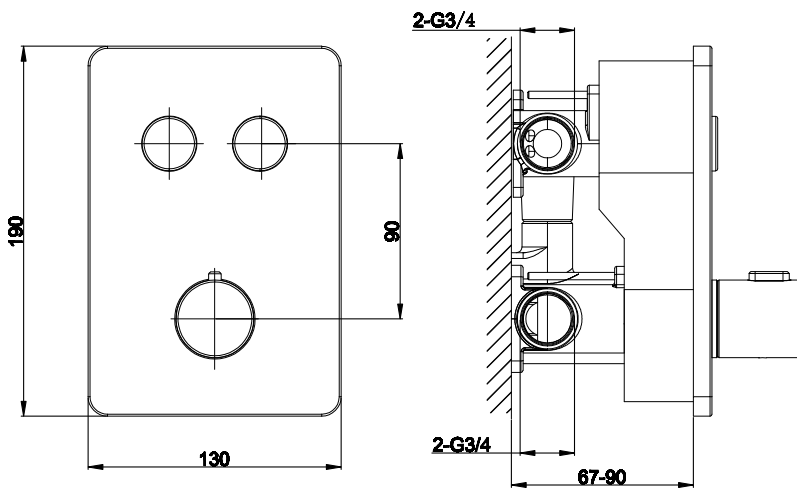
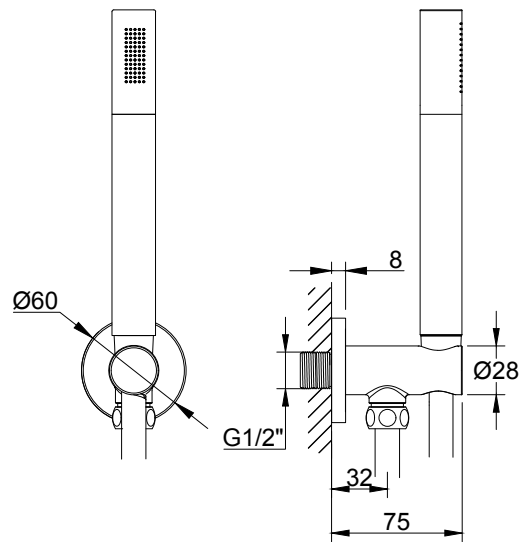
Type: Shower Packs

Code: DIS01 DIS10 LNS01 LNS10 KNS03 KNS05 KNS01 ETS03 ETS05 ETS01 GFS01 GFS10

Version/Date: v2 12/23



Available in various finishes & various valve handles



Information:

High Pressure. Vernet Cartridge.

Guarantee/Aftercare: During installation extra care must be taken to avoid damaging the fittings. We provide a guarantee against faulty manufacture or materials (excluding serviceable parts), providing they have been installed, cared for and used in accordance with our instructions and good plumbing practice. We recommend that all brassware is installed to allow access to serviceable parts as we cannot accept responsibility in the event that access is required.

Finishes:

