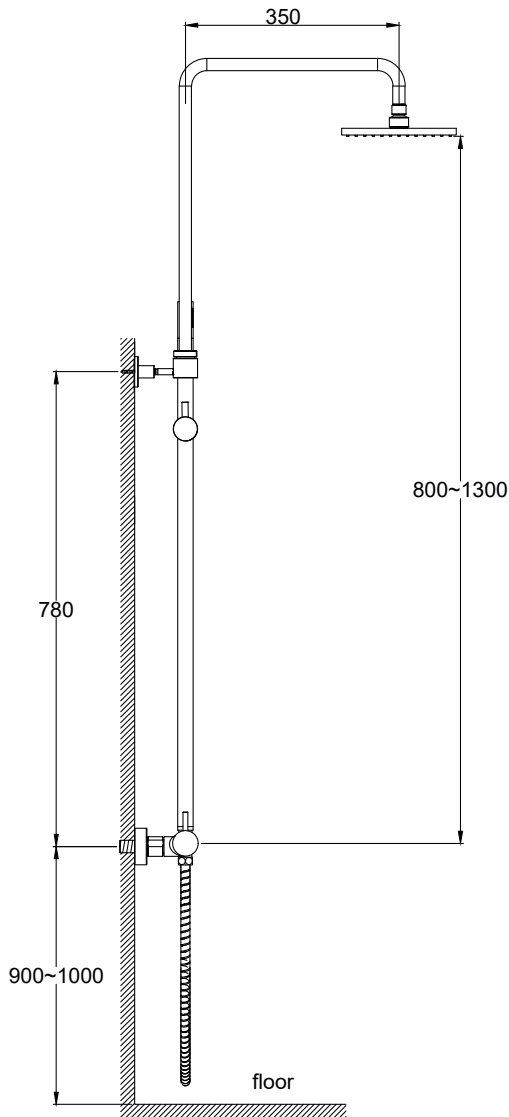
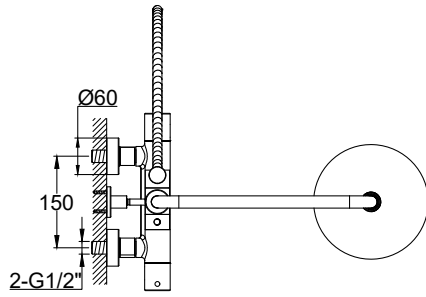


Range: Various

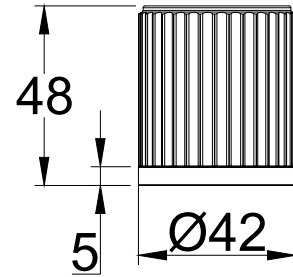
Type: Exposed Thermostatic Valve

Code: DIS04 DIS13 LNS04 LNS13 KNS11 KNS13 KNS15 ETS11 ETS13 ETS15 GFS04 GFS14

Version/Date: v2 12/23



Various finishes.  
Various handles.



Groove Fluted  
Handle Detail

**Information:**

Guarantee/Aftercare: During installation extra care must be taken to avoid damaging the fittings. We provide a guarantee against faulty manufacture or materials (excluding serviceable parts), providing they have been installed, cared for and used in accordance with our instructions and good plumbing practice. We recommend that all brassware is installed to allow access to serviceable parts as we cannot accept responsibility in the event that access is required.

Finishes:

