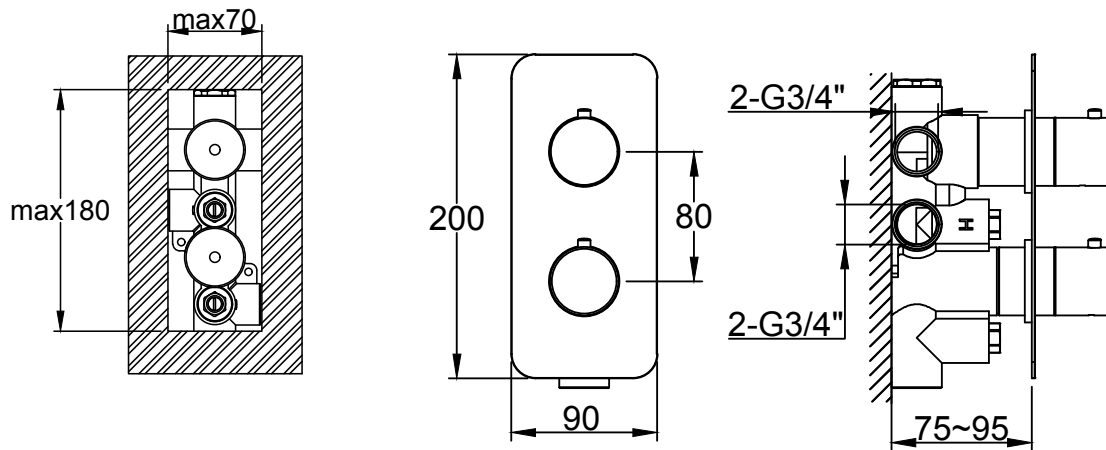
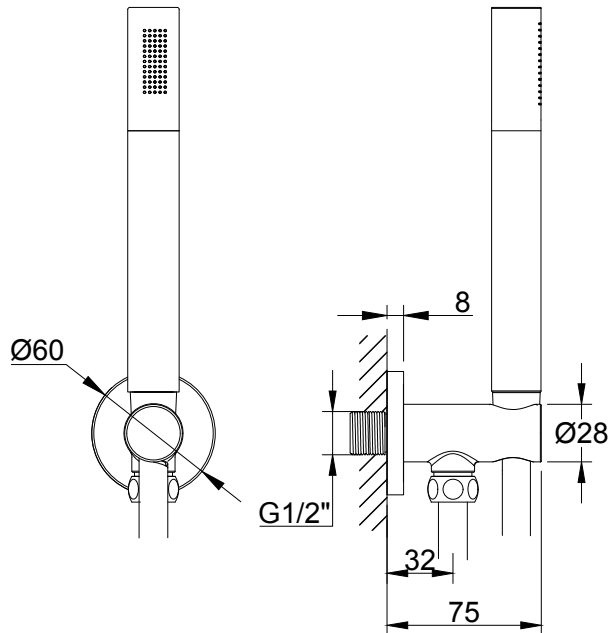


Range: Showering

Type: Shower Suite

Code: DOC200 DOC201 DOC210 DOC211 DOC220 DOC221 DOC230 DOC231 DOC240 DOC241

Version/Date: v1 08/24



Information:

High Pressure. Vernet Cartridge.

Finishes:

Guarantee/Aftercare: During installation extra care must be taken to avoid damaging the fittings. We provide a guarantee against faulty manufacture or materials (excluding serviceable parts), providing they have been installed, cared for and used in accordance with our instructions and good plumbing practice. We recommend that all brassware is installed to allow access to serviceable parts as we cannot accept responsibility in the event that access is required.

Phoenix Whirlpools Ltd. Unit 8, Leeds 27 Industrial Estate, Bruntcliffe Ave. Morley, Leeds LS27 0LL

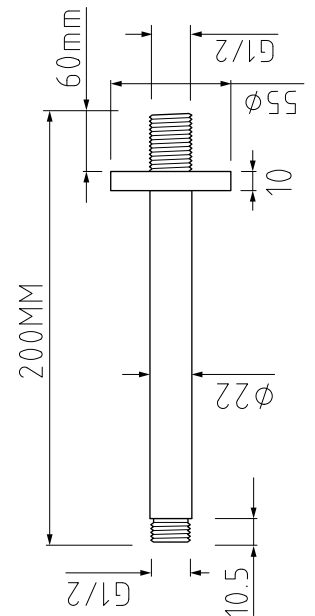
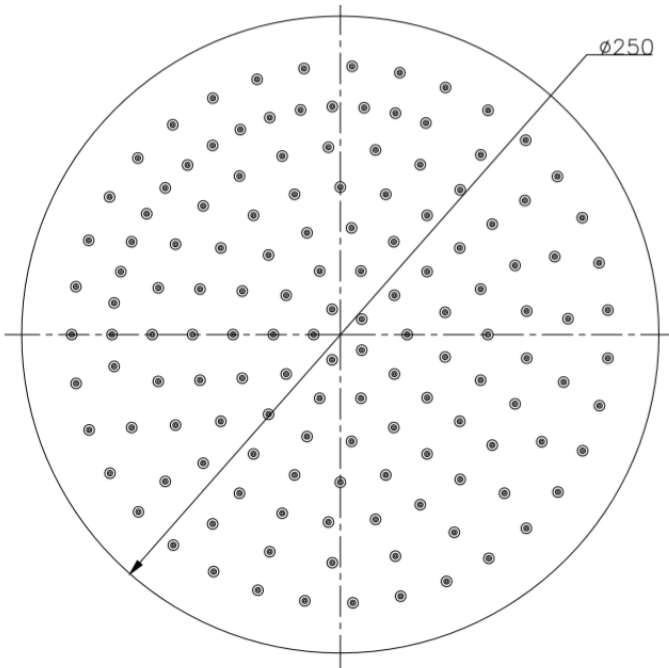
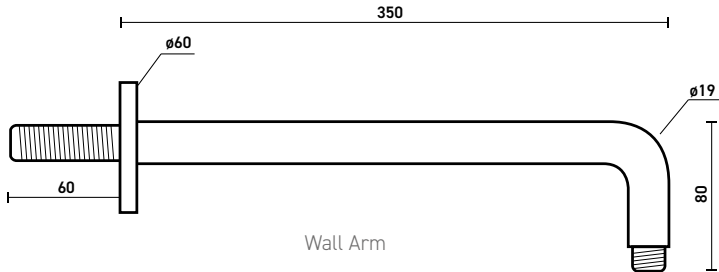
Tel: 0113 201 2260 Email: sales@phoenix-uk.com Web: www.phoenix-uk.com

Range: Showering

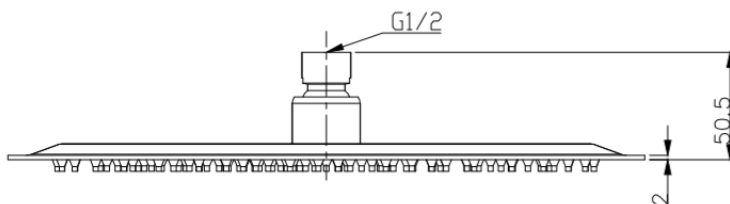
Type: Shower Suite

Code: DOC200 DOC201 DOC210 DOC211 DOC220 DOC221 DOC230 DOC231 DOC240 DOC241

Version/Date: v1 08/24



Ceiling Arm



Information:

High Pressure. Vernet Cartridge.

Finishes:

Guarantee/Aftercare: During installation extra care must be taken to avoid damaging the fittings. We provide a guarantee against faulty manufacture or materials (excluding serviceable parts), providing they have been installed, cared for and used in accordance with our instructions and good plumbing practice. We recommend that all brassware is installed to allow access to serviceable parts as we cannot accept responsibility in the event that access is required.

Phoenix Whirlpools Ltd. Unit 8, Leeds 27 Industrial Estate, Bruntcliffe Ave. Morley, Leeds LS27 0LL

Tel: 0113 201 2260 Email: sales@phoenix-uk.com Web: www.phoenix-uk.com